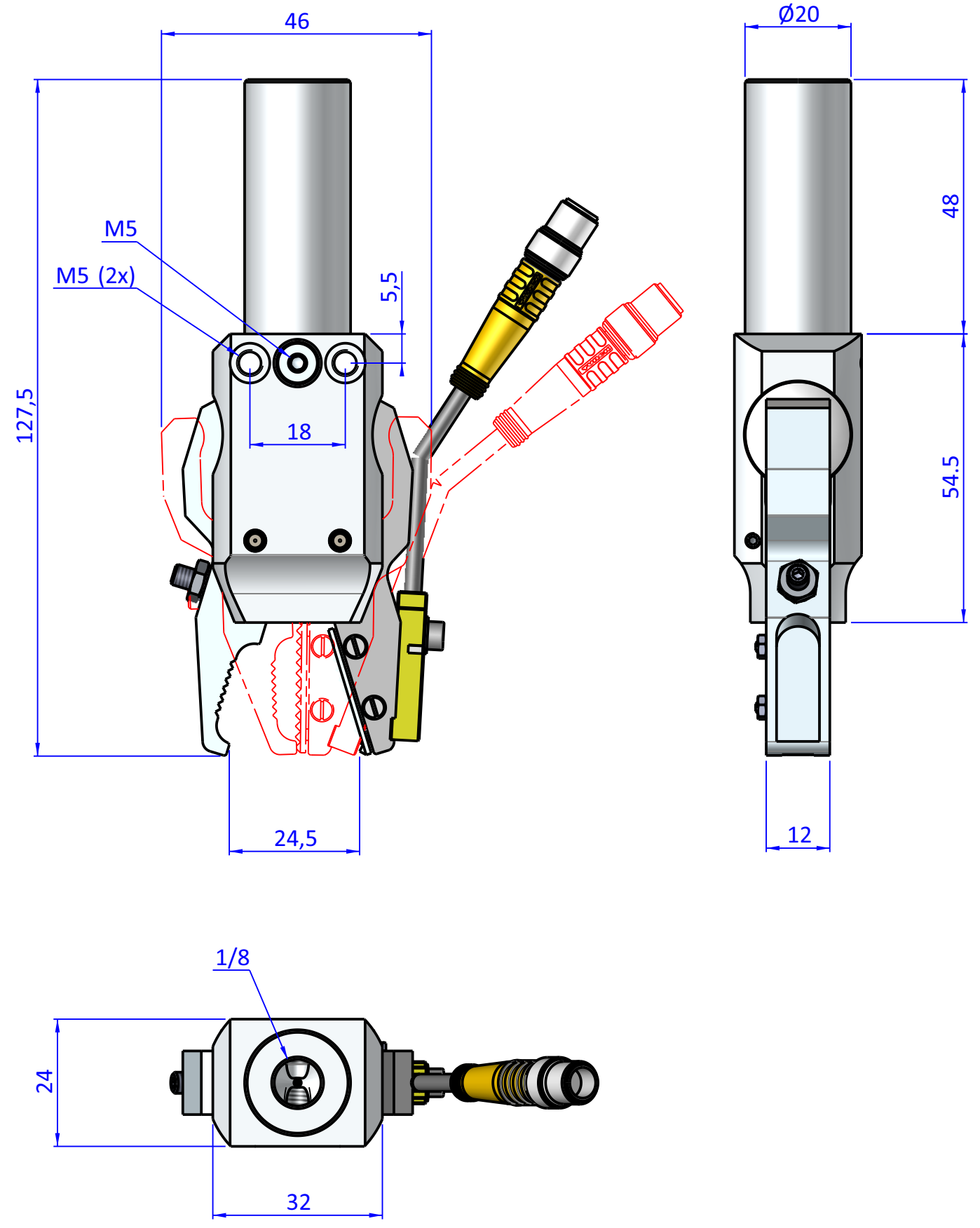
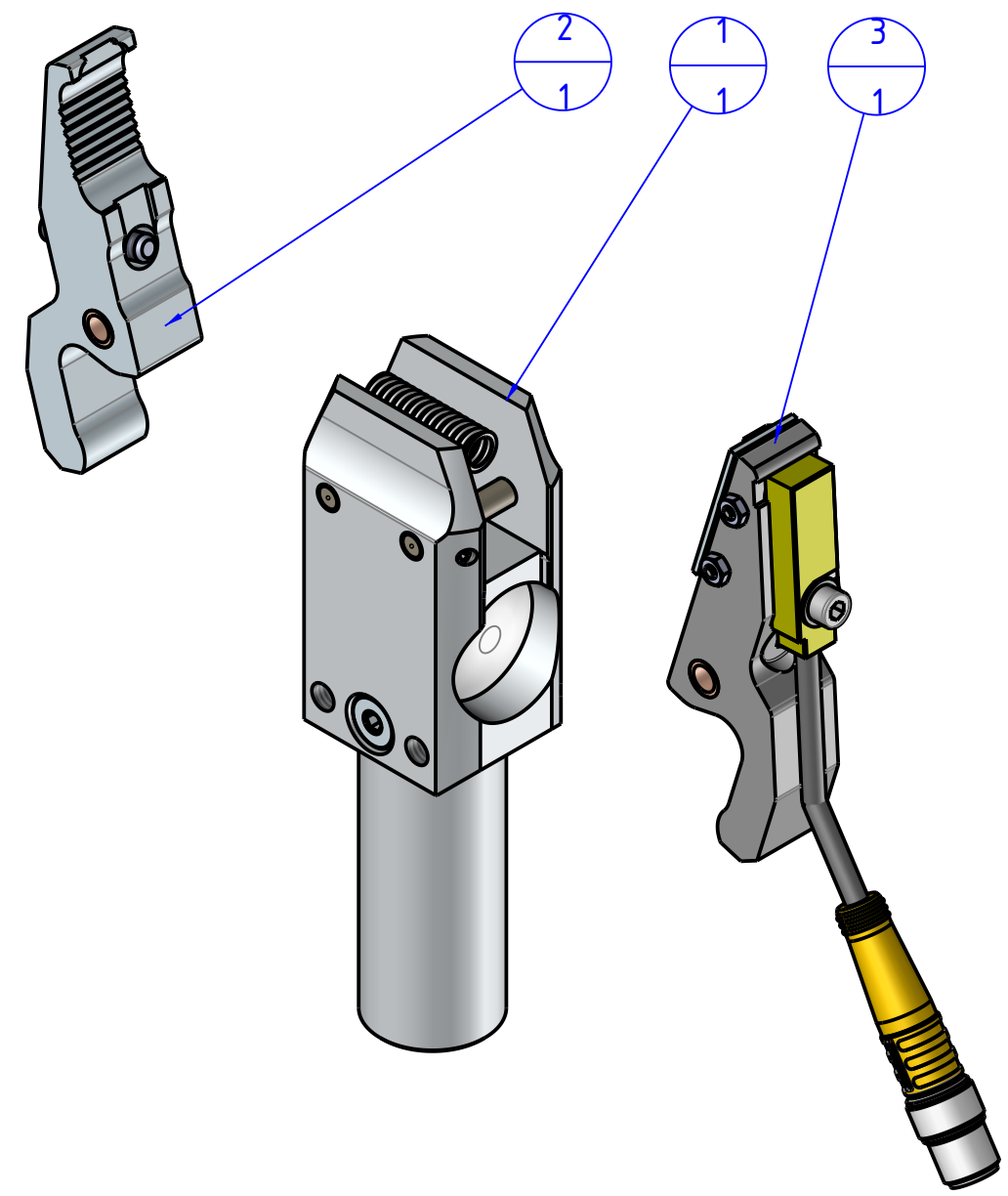

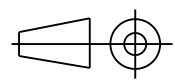


THE PROPERTY OF THE DRAWING IS ESTABLISHED BY LAW. IT IS FORBIDDEN TO PRODUCE OR SHOW IT TO THIRD PART - WITHOUT A WRITTEN AGREEMENT.

| Item | Name | Qty. |
|------|------------|------|
| 1 | GTS.04.G18 | 1 |
| 2 | GTS.04.14 | 1 |
| 3 | GTS.04.15 | 1 |



Format A3
UNI 936-76

| | | | | |
|--|--|---|--|---------------------------------|
|  FPS FPSERVICES AUTOMATION | |  | DESIGNED FROM FPS Automation | REVIEW A |
| GENERAL TOLERANCE UNI - ISO 2768 CLASSE f | | DESCRIPTION CA.GTS.1004.1415 | | DATE 21/09/2021 |
| | | WEIGHT 0,170kg | | CODE CA.GTS.1004.1415 |